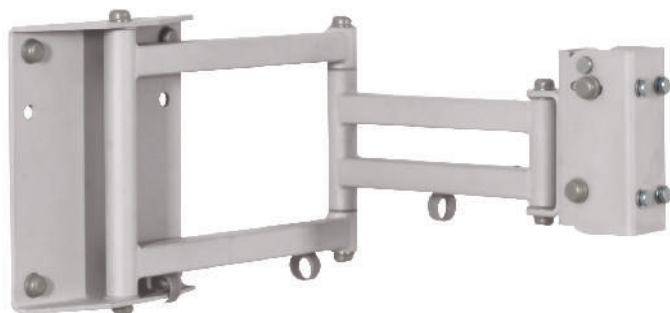




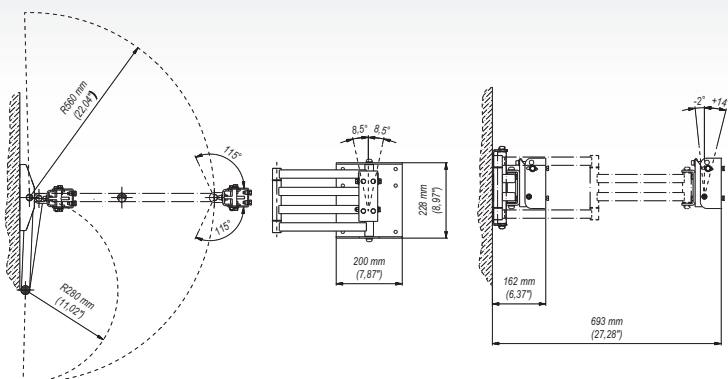
SAP2 ■ Dual Swing Arm Wall Mount 42"-60"



Features

- 1 **ADJUSTABLE TILT ANGLE**
variable from $-2^{\circ}/+14^{\circ}$
- 2 **SOLID BUILD**
3 mm thick powder-coated metal sheet
- 3 **ADJUSTABLE POSITION**
3 axes of rotation

Technical Data



100x100 mm 200x100 mm 200x200 mm 300x300 mm 400x200 mm 400x400 mm 600x400 mm 800x200 mm 800x400 mm	115°/115°	42"-60"	min. 162 mm max. 693 mm
$-2^{\circ}/+14^{\circ}$	80 Kg	$-8.5^{\circ}/+8.5^{\circ}$	
			min. 50x75 mm max. 850x460 mm

Trade Information

Index	Colour	Package	EAN
SAP2c-B	■	■	5908252961474
SAP2s-B	■	■	5908252961481

Package Dimensions [mm] (H x W x D)	400x225x125
Weight [Kg]	7,2

Accessories

LWB1/PWB1/TWB1

